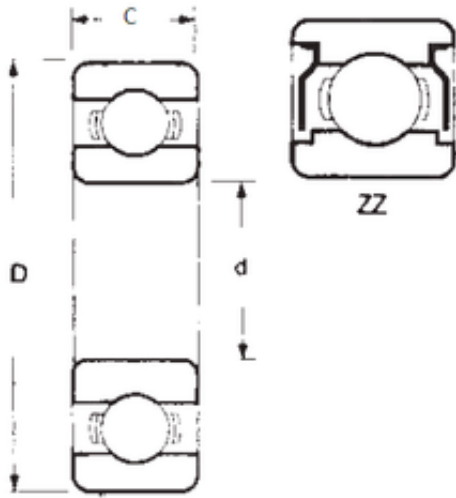




## Zotti Industrial Co., Ltd



10 mm x 26 mm x 8 mm FBJ 6000ZZ deep groove ball bearings

Bearing No. 6000ZZ

Size	10x26x8 mm
Bore Diameter	10 mm
Outer Diameter	26 mm
Width	8 mm
d	10 mm
D	26 mm
B	8 mm
C	8 mm
Weight	0,019 Kg
Basic dynamic load rating (C)	4,62 kN
Basic static load rating (C0)	1,96 kN

6000ZZ Bearing 2D drawings and 3D CAD models