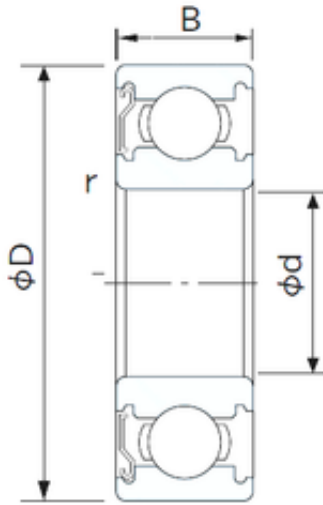




Zotti Industrial Co., Ltd



50 mm x 72 mm x 12 mm NACHI 6910ZE deep groove ball bearings

Bearing No. 6910ZE

Size	50x72x12 mm
Bore Diameter	50 mm
Outer Diameter	72 mm
Width	12 mm
d	50 mm
D	72 mm
B	12 mm
C	12 mm
r min.	0.6 mm
da min.	54 mm
Da max.	68 mm
ra max.	0.6 mm
Weight	0.125 Kg
Basic dynamic load rating (C)	14,5 kN
Basic static load rating (C0)	11,7 kN
(Grease) Lubrication Speed	9500 r/min

6910ZE Bearing 2D drawings and 3D CAD models