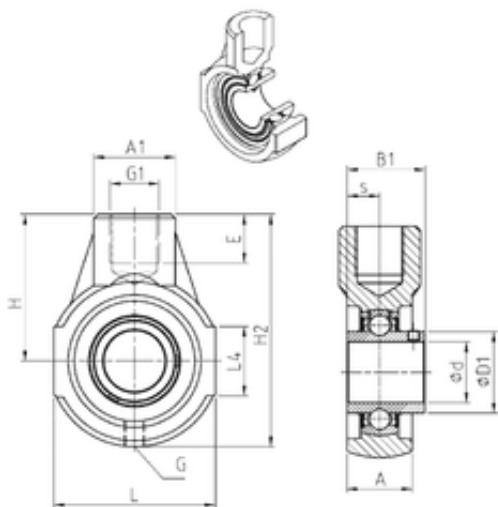




Zotti Industrial Co., Ltd

SNR UCEHE206 bearing units

Bearing No. UCEHE206



UCEHE206 Bearing 2D drawings and 3D CAD models

Bore Diameter	30 mm
d	30 mm
L4	40 mm
s	15,9 mm
A	32 mm
A1	40 mm
B1	38,1 mm
D1	40,3 mm
E	24 mm
G1	M24 mm
H	72 mm
H2	114 mm
L	85 mm
Thread (G)	R1/8"
Weight	1,3 Kg
Basic dynamic load rating (C)	19,5 kN
A2	40 mm
B	38.1 mm
A5	22.2 mm
G	R1/8"
L1	72 mm
L3	40 mm
s1	19.05 mm
S	15.9 mm
SW	3 mm
C	19.5 kN



Zotti Industrial Co., Ltd

C0	11.2 kN
T min.	-20 ° C
T max.	100 ° C
Recommended tightening torque for set screw	5.5 Nm
Designation of housing	EHE206-
Designation of bearing	UC206G2