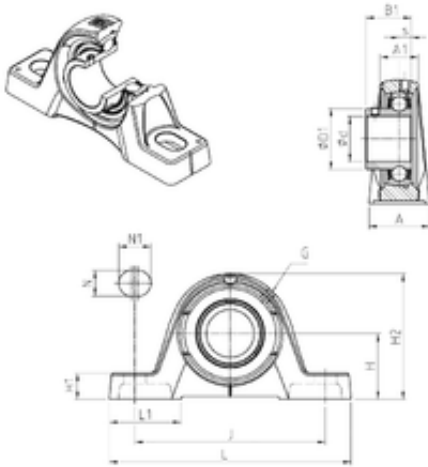




Zotti Industrial Co., Ltd

SNR USPE201 bearing units

Bearing No. USPE201



USPE201 Bearing 2D drawings and 3D CAD models

Bore Diameter	12 mm
d	12 mm
s	6 mm
A	30 mm
A1	18 mm
B1	22 mm
D1	24,6 mm
H	30,2 mm
H1	10 mm
H2	57 mm
J	95 mm
L	125 mm
L1	38 mm
N	11 mm
N1	19 mm
Thread (G)	M6x1
Weight	0,4 Kg
Basic dynamic load rating (C)	9,55 kN
B	22 mm
G	M6x1
s1	11 mm
S	6 mm
C	9.55 kN
C0	4.78 kN
T min.	-20 ° C
T max.	100 ° C



Zotti Industrial Co., Ltd

Recommended tightening torque for set screw	3.5 Nm
Designation of housing	PE203-
Designation of bearing	US201G2