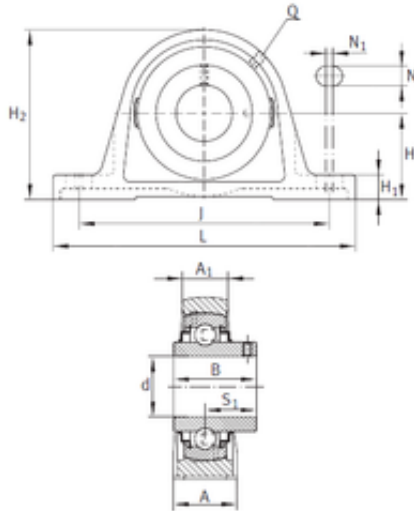




Zotti Industrial Co., Ltd



INA RASEY15/16 bearing units

Bearing No. RASEY15/16

Bore Diameter	23,813 mm
d	23,813 mm
S1	19,812 mm
Thread (Q)	1/8 NPT
A	37,008 mm
A1	21,997 mm
B	34,113 mm
H	36,526 mm
H1	15,494 mm
H2	71,451 mm
J	104,801 mm
L	139,7 mm
N	11,989 mm
N1	9,5 mm
Category	Pillow Block Bearings
Inventory	0.0
Manufacturer Name	SCHAEFFLER GROUP
Minimum Buy Quantity	N/A
Weight / Kilogram	0.766
Product Group	M06110
Number of Mounting Holes	2
Mounting Method	Set Screw
Housing Style	2 Bolt Pillow Block
Rolling Element	Ball Bearing
Housing Material	Cast Iron
Expansion / Non-expansion	Non-expansion

RASEY15/16 Bearing 2D drawings and 3D CAD models



Zotti Industrial Co., Ltd

Relubricatable	Yes
Insert Part Number	GY1015KRRB
Seals	Double Land Riding Rubber Contact
Housing Configuration	1 Piece Solid
Inch - Metric	Inch
Other Features	Single Row Standard Shaft Height
Long Description	2 Bolt Pillow Block; 15/16" Bore; 1-7/16" Base to Center Height; Set Screw Mount; Ball Bearing; 3.751" Minimum Bolt Spacing; 4-1/2" Bolt Spacing Maximum; Relubricatable; Cast Iron;
Category	Pillow Block
UNSPSC	31171511
Harmonized Tariff Code	8483.20.40.40
Noun	Bearing
Keyword String	Pillow Block
Manufacturer URL	http://www.ina.com
Manufacturer Item Number	RASEY15/16
Weight / LBS	1.99
Actual Bolt Center to Center	0 Inch 0Millimeter
Bolt Spacing Minimum	3.751 Inch 95.275Millimeter
Nominal Bolt Center to Center	4.1 Inch 105 Millimeter
Length Thru Bore	1.343 Inch 34.1 Millimeter
Bolt Spacing Maximum	4.5 Inch 114.3Millimeter
Bore	0.938 Inch 23.825 Millimeter
Base to Center Height	1.438 Inch 36.525 Millimeter