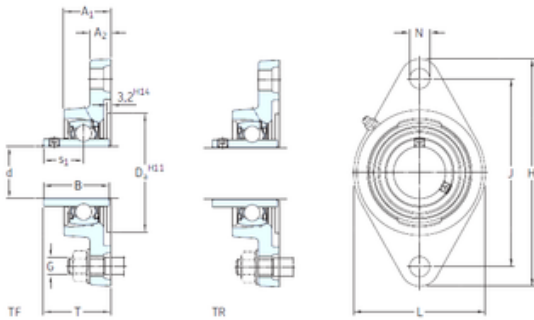




Zotti Industrial Co., Ltd

SKF FYTB 25 WF bearing units

Bearing No. FYTB 25 WF



FYTB 25 WF Bearing 2D drawings and 3D CAD models

| | |
|-------------------------------|-----------|
| Bore Diameter | 25 mm |
| d | 25 mm |
| Da | 63,5 mm |
| s1 | 26,9 mm |
| A1 | 30 mm |
| B1 | 44,4 mm |
| G | 10 mm |
| H | 124 mm |
| J | 99 mm |
| L | 70 mm |
| N | 11,5 mm |
| T | 45,9 mm |
| A2 | 12 mm |
| Weight | 0,69 Kg |
| Basic dynamic load rating (C) | 14 kN |
| Basic static load rating (C0) | 7,8 kN |
| Fatigue load limit (Pu) | 0,335 |
| Category | Bearings |
| Inventory | 0.0 |
| Manufacturer Name | SKF |
| Minimum Buy Quantity | N/A |
| Weight / Kilogram | 0.568 |
| Product Group | M06110 |
| Housing material | Cast iron |
| D _a | 63.5 mm |
| D _{b1} | 65 mm |



Zotti Industrial Co., Ltd

| | |
|---------------------------------------------------|---------------|
| D_{b2} | 70 mm |
| A | 30 mm |
| A_1 | 12 mm |
| A_3 | 3.2 mm |
| A_5 | 18 mm |
| B_1 | 44.4 mm |
| B_4 | 4.75 mm |
| s_1 | 26.9 mm |
| R_G | 1/4-28 UNF |
| R_1 | 20.5 mm |
| R | 45 ° |
| D_N | 6.5 mm |
| SW_N | 7 mm |
| G_N | 1/4-28 SAE-LT |
| J_6 | 81 mm |
| J_7 | 12 mm |
| N_4 | 2 mm |
| Basic dynamic load rating C | 14 kN |
| Basic static load rating C_0 | 7.8 kN |
| Fatigue load limit P_u | 0.335 kN |
| Limiting speed | 7000 r/min |
| Mass bearing unit | 0.63 kg |
| Thread grub screw G_2 | M6x0.75 |
| Hexagonal key size for grub screw N | 3 mm |
| Recommended tightening torque for grub screw | 4 N · m |
| Recommended diameter for attachment bolts, mm G | 10 mm |
| Recommended diameter for attachment bolts, inch G | 0.375 in |