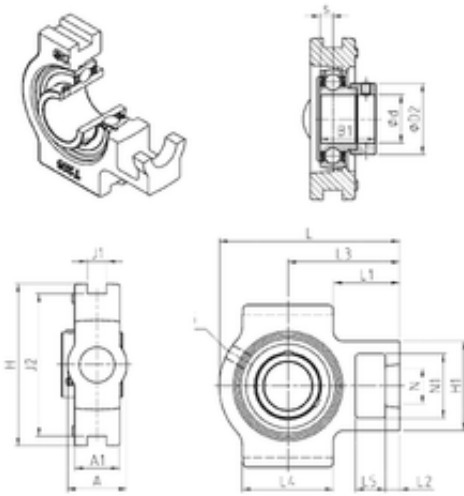




# Zotti Industrial Co., Ltd

## SNR EST208 bearing units

Bearing No. EST208



EST208 Bearing 2D drawings and 3D CAD models

Bore Diameter	40 mm
d	40 mm
L4	83 mm
L5	19 mm
L2	16 mm
L3	88 mm
s	11 mm
A	49 mm
A1	33 mm
B1	43,7 mm
D2	60,3 mm
H	114 mm
H1	83 mm
L	144 mm
L1	46,5 mm
N	29 mm
N1	49 mm
Thread (G)	M6x1
J1	16 mm
J2	102 mm
Weight	2,3 Kg
Basic dynamic load rating (C)	29,6 kN