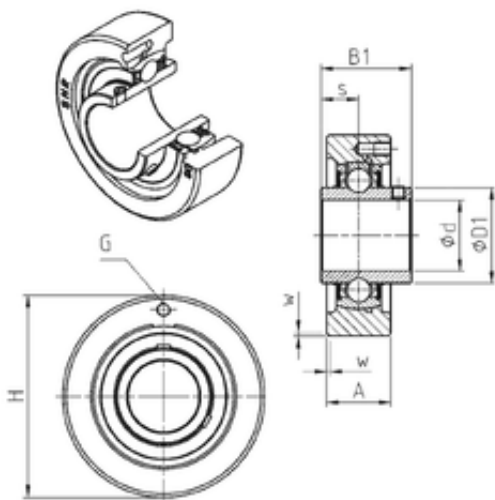




**SNR UCC306 bearing units**

Bearing No. UCC306



UCC306 Bearing 2D drawings and 3D CAD models

Bore Diameter	30 mm
d	30 mm
s	17 mm
A	28 mm
B1	43 mm
D1	44,6 mm
H	100 mm
W	2,5 mm
Thread (G)	M6x1
Weight	1,7 Kg
Basic dynamic load rating (C)	27 kN
B	43 mm
A3	2.5 mm
A5	26 mm
G	M6x1
s1	21.5 mm
S	17 mm
SW	3 mm
C	27 kN
C0	15.2 kN
T min.	-20 ° C
T max.	100 ° C
Recommended tightening torque for set screw	5.5 Nm
Designation of housing	C306-
Designation of bearing	UC306G2



# Zotti Industrial Co., Ltd