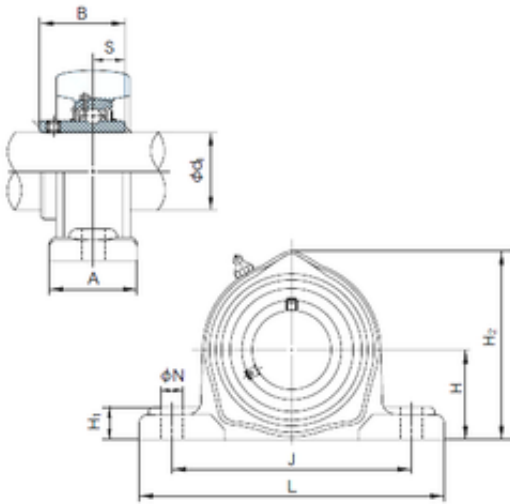




Zotti Industrial Co., Ltd

NACHI UCPK315 bearing units

Bearing No. UCPK315



UCPK315 Bearing 2D drawings and 3D CAD models

Bore Diameter	75 mm
Width	82 mm
d	75 mm
A	90 mm
B	82 mm
H	100 mm
H1	40 mm
H2	208 mm
J	290 mm
L	366 mm
N	26 mm
S	32 mm
Bolt (G)	M22