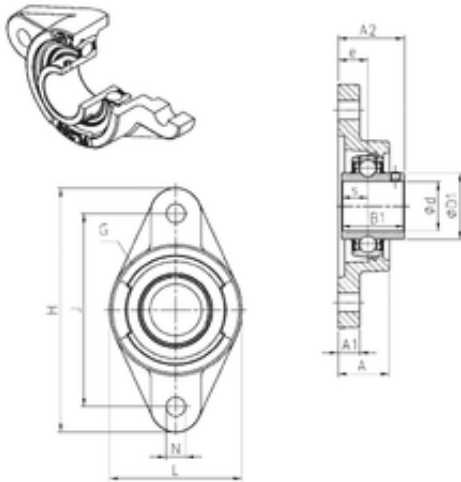




Zotti Industrial Co., Ltd



SNR UCFL215 bearing units

Bearing No. UCFL215

Bore Diameter	75 mm
d	75 mm
e	34 mm
s	33,3 mm
A	55 mm
A1	22 mm
B1	77,8 mm
D1	91,5 mm
H	275 mm
J	225 mm
L	164 mm
N	23 mm
Thread (G)	M10x1
A2	78,5 mm
Weight	5,4 Kg
Basic dynamic load rating (C)	66 kN

UCFL215 Bearing 2D drawings and 3D CAD models