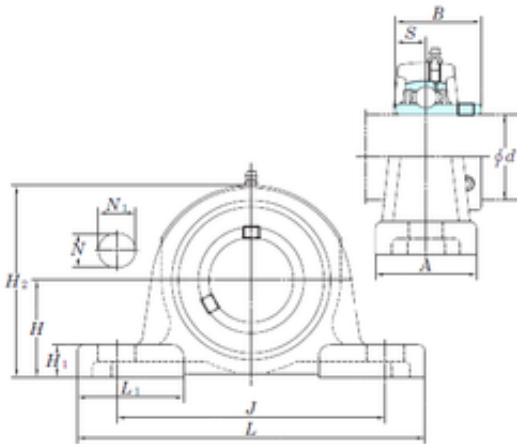




KOYO UCP312 bearing units

Bearing No. UCP312



UCP312 Bearing 2D drawings and 3D CAD models

Bore Diameter	60 mm
Width	71 mm
d	60 mm
A	85 mm
B	71 mm
H	85 mm
H1	29 mm
H2	167 mm
J	250 mm
L	330 mm
L1	103 mm
N	25 mm
N1	38 mm
S	26 mm
Bolt (G)	M20
Weight	9,5 Kg
Basic dynamic load rating (C)	81,9 kN
Basic static load rating (C0)	52,2 kN
Category	Bearings
Inventory	0.0
Manufacturer Name	KOYO
Minimum Buy Quantity	N/A
Weight / Kilogram	0
Product Group	M06110
Bearing No.	UCP312
Bolt size	M20



Zotti Industrial Co., Ltd

Cr	81.9
C0r	52.2
f0	13.2
(Refer.)Unit mass(kg)	9.5
Nipple size	R1/8