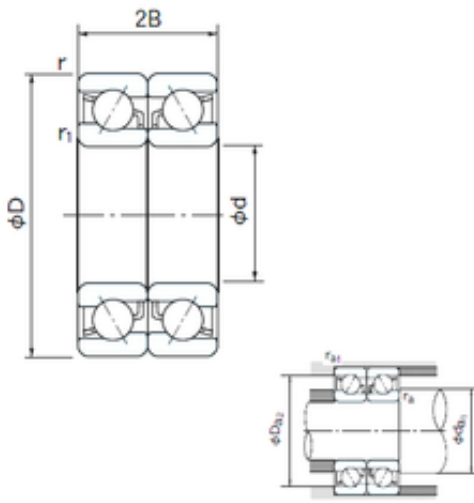




Zotti Industrial Co., Ltd



12 mm x 37 mm x 12 mm NACHI 7301CDB angular contact ball bearings

Bearing No. 7301CDB

7301CDB Bearing 2D drawings and 3D CAD models

Size	12x37x12 mm
Bore Diameter	12 mm
Outer Diameter	37 mm
Width	12 mm
d	12 mm
D	37 mm
B	12 mm
C	12 mm
Angle (°)	15 °
a -	3.1 mm
r min.	1 mm
r1 min.	0.6 mm
2B	24 mm
da min.	18 mm
Da max.	33.4 mm
ra max.	0.6 mm
Weight	0.063 Kg
Basic dynamic load rating (C)	17,5 kN
Basic static load rating (C0)	9,8 kN
(Grease) Lubrication Speed	26000 r/min
Bore Type	Cylindrical Bore
Enclosure	Open
Configuration	Duplex
Bore Size	12 mm
Outside Diameter	37 mm



Zotti Industrial Co., Ltd

Width	12 mm
Fillet Radius/Chamfer	1 mm
r1	0.6 mm
Dynamic Load Rating	17,500 N
Static Load Rating	9,800 N
Limiting Speed - Grease	26,000 rpm
Limiting Speed - Oil	36,000 rpm
da1 (min)	18 mm
da2 (min)	18 mm
Da1 (max)	31 mm
Da2 (max)	33.4 mm
ra (max)	1 mm
ra1 (max)	0.6 mm