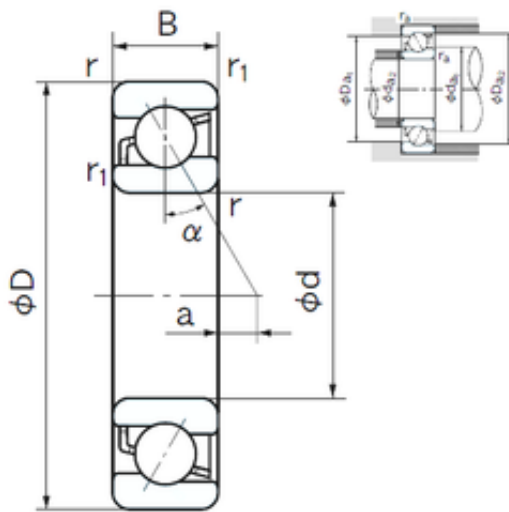




Zotti Industrial Co., Ltd



150 mm x 270 mm x 45 mm NACHI 7230B angular contact ball bearings

Bearing No. 7230B

7230B Bearing 2D drawings and 3D CAD models

Size	150x270x45 mm
Bore Diameter	150 mm
Outer Diameter	270 mm
Width	45 mm
d	150 mm
D	270 mm
B	45 mm
C	45 mm
Angle (°)	40 °
a	65.6 mm
r min.	3 mm
r1 min.	1.1 mm
da min.	164 mm
Da max.	256 mm
ra max.	2.5 mm
Weight	11.0 Kg
Basic dynamic load rating (C)	223 kN
Basic static load rating (C0)	246 kN
(Grease) Lubrication Speed	1800 r/min
Configuration	Single Row
Enclosure	Open
Bore Type	Cylindrical Bore
Bore Size	150 mm
Outside Diameter	270 mm
Width	45 mm



Zotti Industrial Co., Ltd

Fillet Radius/Chamfer	3 mm
r1	1.1 mm
Dynamic Load Rating	223,000 N
Static Load Rating	246,000 N
Limiting Speed - Grease	1,800 rpm
Limiting Speed - Oil	2,600 rpm
da1 (min)	164 mm
da2 (min)	157 mm
Da1 (max)	256 mm
Da2 (max)	263 mm
ra (max)	2.5 mm
ra1 (max)	1 mm